

A. Features:

1. Low Profile to achieve Low Core Loss and High Efficiency.
2. RoHS Compliant and Halogen Free.
3. Constructed with UL Approved Class B Insulation.

B. Application:

1. AV equipment, digital consumer electronics, and many other applications.

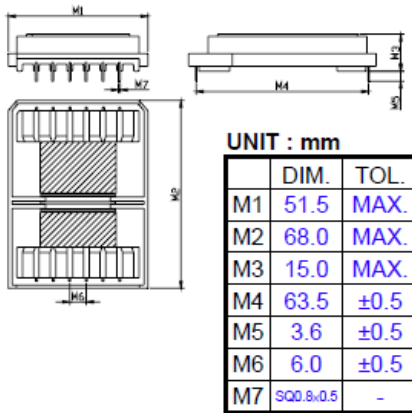


C. Electrical Specifications:

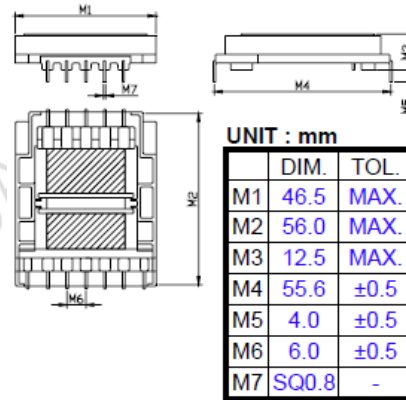
Model No	Input Voltage (VDC)	Frequency (KHz) Min.	Maximum Output Power (W)	A _e mm ²	Mount Method	Height (mm) Max.		Number of Pins	
						Primary(Pin)	Secondary(Pin)		
THD4344HXXXXXS	390	120	200	83.2	THROUGH HOLE	15.0	6	6	
THD4549HXXXXXS	390	120	180	73	THROUGH HOLE	12.5	5	7	
TDD4549HXXXXXS	390	120	180	73	DROP-IN	11.0	5	7	
TDD3528HXXXXXS	390	120	70	63.2	DROP-IN	12.5	6	6	

D. Drawings:

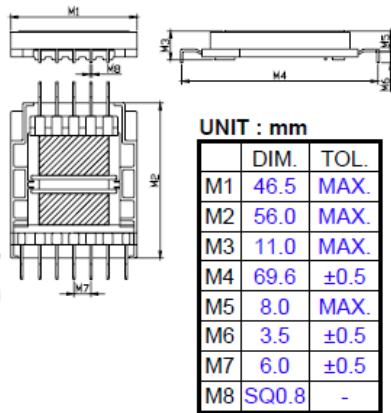
THD4344HXXXXXS



THD4549HXXXXXS



TDD4549HXXXXXS



TDD3528HXXXXXS

